



## SQH6012S SERIES ~ Low Profile Semi Power Inductors

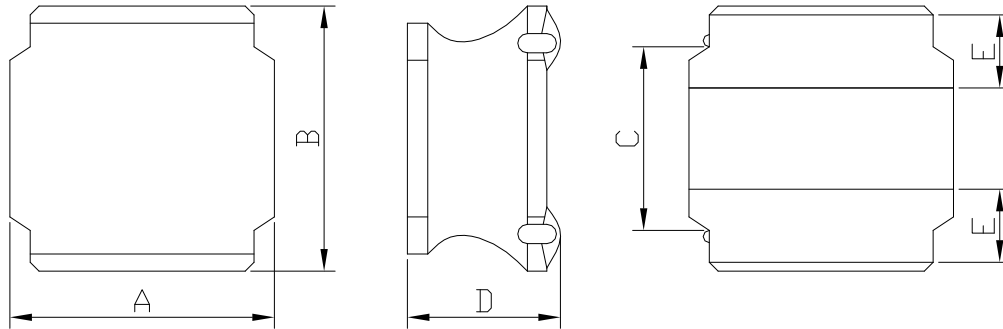


### PART NUMBERING SYSTEM

<b>SQH</b>	<b>6012S</b>	—	<b>220M</b>	—	<b>LF</b>
TYPE	DIMENSIONS		INDUCTANCE		LEAD FREE

### SHAPES AND DIMENSIONS

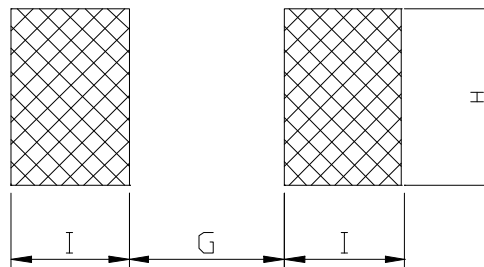
UNIT : mm



A=6.2 Max. B=6.2 Max. C=4.0 Ref. D=1.2 Max. E=1.35±0.2

### RECOMMENDED PATTERNS

UNIT : mm



G= 3.10 H= 5.70 I = 1.60

### FEATURES

- \* Low profile and small inductors ( 6.2mm Max. square and 1.2mm Max. height )
- \* Magnetically shielded construction and high current
- \* Ideal for DC-DC converter choke coil for portable equipments ( DVDs , DSC , Cellular , PDAs )
- \* RoHS compliant option with lead free

## SQH6012S SERIES ~ Low Profile Semi Power Inductors



### SPECIFICATION TABLE

PART NUMBER	INDUCTANCE ( $\mu$ H)	DCR ( $\Omega$ ) (Max.)	Isat (A) (Max.)	Irms (A) (Max.)	TEST FREQ. ( f )
SQH6012S-2R5N-LF	2.5 $\pm$ 30%	0.108	2.10	1.73	100KHz
SQH6012S-4R0N-LF	4.0 $\pm$ 30%	0.126	1.80	1.57	100KHz
SQH6012S-5R3M-LF	5.3 $\pm$ 20%	0.132	1.50	1.40	100KHz
SQH6012S-6R8M-LF	6.8 $\pm$ 20%	0.198	1.30	1.18	100KHz
SQH6012S-100M-LF	10 $\pm$ 20%	0.282	1.00	1.00	100KHz
SQH6012S-150M-LF	15 $\pm$ 20%	0.396	0.80	0.79	100KHz
SQH6012S-220M-LF	22 $\pm$ 20%	0.636	0.76	0.63	100KHz
SQH6012S-330M-LF	33 $\pm$ 20%	0.840	0.59	0.53	100KHz
SQH6012S-470M-LF	47 $\pm$ 20%	1.260	0.52	0.46	100KHz
SQH6012S-680M-LF	68 $\pm$ 20%	1.620	0.44	0.41	100KHz
SQH6012S-101M-LF	100 $\pm$ 20%	2.616	0.35	0.32	100KHz

- Isat : DC current at which the inductance drops 30%(typ) from its value without current.
- Irms : The temperature rise current value is the DC current value having temperature increase up 40°C temperature rise from 25°C ambient.
- Operating temperature range -40°C to +105°C , Electrical specifications at 25°C .